

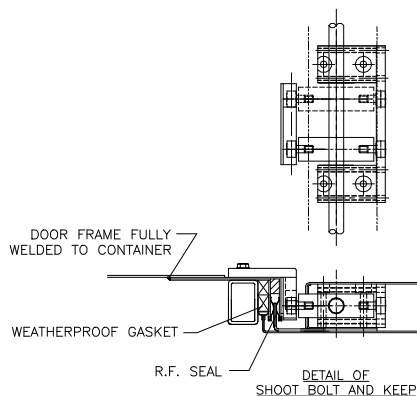
European EMC Products Ltd

## RF SHIELDED DOORS FOR EXTERNAL APPLICATIONS

The door is the most important part of any shielded facility and therefore the design and quality of construction is essential. EEP Ltd design a wide range of shielded doors to meet all performance levels and applications both internal and external.

RF shielded doors for military containers are particularly important as they need to resist extremes of temperature and usage that an internal door does not. For these reasons EEP external RF doors are particularly robust.

As most shielding projects are unique EEP Ltd can design or adapt our designs to meet your specific needs. These can include manual, electric or pneumatic latches, all types of locks, weather and NBC (nuclear, biological chemical) seals, and thermal, acoustic or blast protection.



### Internal shoot bolt mechanism

Robust design for long life and high forces applied to the door. Doors can have 2 or 3 shoot bolts per leaf this ensures even closure force around the leaf. This is particularly important with RF shielded doors to maintain the performance at the corners.

### European EMC Products Limited

Unit 8 : Saffron Business Centre : Elizabeth Way : Saffron Walden : Essex : CB10 2NL  
Registered in England Number 3209118 : VAT Number 676 5479 78

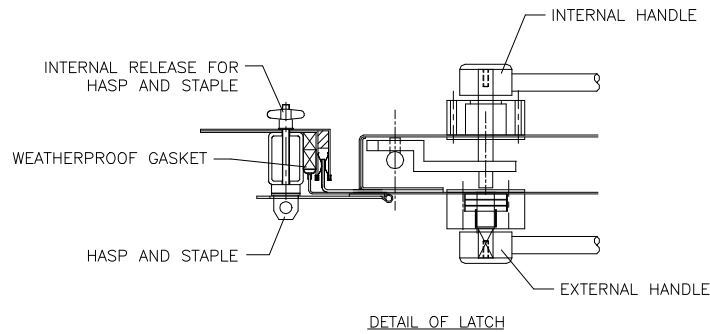
Tel + 44 1799 523073 : Fax + 44 1799 521191

Email : [info@euro-emc.co.uk](mailto:info@euro-emc.co.uk) : Web : <http://www.euro-emc.co.uk>



European EMC Products Ltd

# RF SHIELDED DOORS FOR EXTERNAL APPLICATIONS



The RF performance comes from a double row of copper beryllium (Cu Be) contacts, these are easily replaceable if damaged. The weather seal is a neoprene D profile that is also NBC proof and easily replaceable. Both the RF and weather seals are mounted in the door frame and are compressed by 'knife-edge' flanges on the door leaf.

## Options



Emergency Latch



Electrical or manual locking



## European EMC Products Limited

Unit 8 : Saffron Business Centre : Elizabeth Way : Saffron Walden : Essex : CB10 2NL

Registered in England Number 3209118 : VAT Number 676 5479 78

Tel + 44 1799 523073 : Fax + 44 1799 521191

Email : [info@euro-emc.co.uk](mailto:info@euro-emc.co.uk) : Web : <http://www.euro-emc.co.uk>