

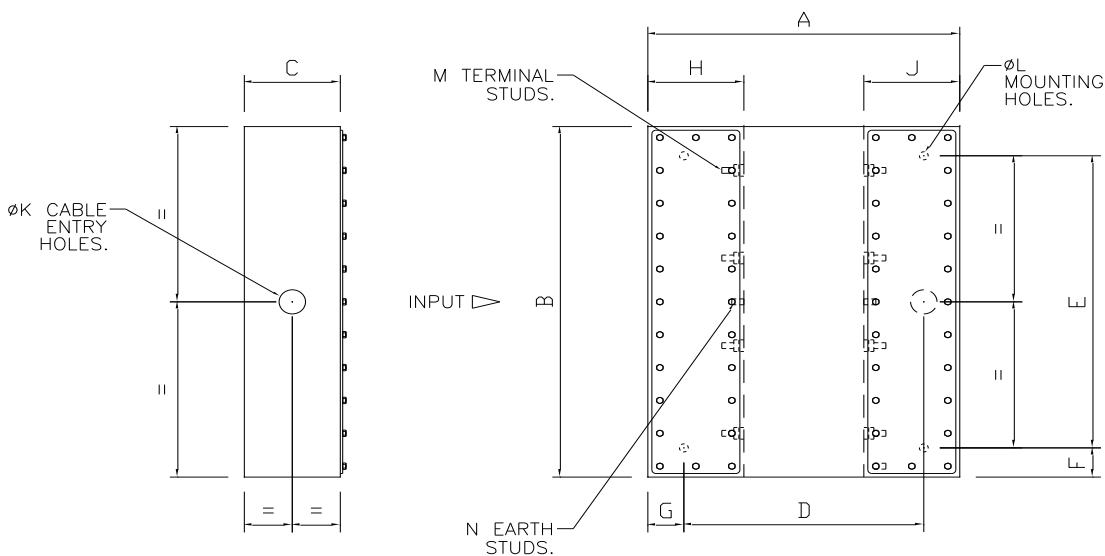
400A 4 Line Power Filter Standard Specification



- Filter:** 400A, 4 line, 415VL-L, 50/60Hz HEMP Passive EMI Filter
- Part Number:** EEPF-400-4-PL
- HEMP Performance:** Designed in accordance with IEC 61000-4-24, severity levels 1 & 2.
- Insertion Loss Performance:** (50 Ohm asymmetric, IEC CISPR17:2011) 80dB from 10MHz to 1GHz
- Configuration:** "C". In line input/rear output. Other configurations available upon request.
- Mass:** 100kg (approximately)

Outline, Dimensions (mm) and Mechanical Details:

A	B	C	D	E	F	G	H	J	K	L	M	N
1000	770	250	860	630	70	70	300	300	64	17	M20	M20



400A 4 Line Power Filter Standard Specification

Masking:	Rear stainless-steel finish. Input piercing masked to 50mm.
Colour:	RAL 9016 Traffic White, full gloss. Other colours and textures can be accommodated upon request.
Labelling:	Sticky backed industrial vinyl (logo labelling with serial numbering and ratings). Earthing, termination phase markers and input/output labels are to be fitted as standard.
Terminations:	Bright nickel-plated Brass to BS EN 12164, CW614N/CZ121 standards.
Testing & Certification:	A general electrical safety certificate will be issued per unit/batch. This includes an Insertion Loss Test Certificate to 4GHz as standard.

Pulse Characteristics for HEMP Power Filters

Class of POE	Type of Injection	Peak Short Circuit Current (A)	Peak Response Time (A)	Rise Time	FWHM (s) Full Width at Half Maximum Amplitude
Short Pulse	Common Mode	5,000	<10A	< 20 ns	50 μ s – 55 μ s
Short Pulse	Wire to Ground	2,500	<10A	< 20 ns	50 μ s – 55 μ s
Intermediate Pulse	Common Mode	250	No Damage or Performance Degradation	< 1.5 μ s	3 ms – 5 ms
Intermediate Pulse	Wire to Ground	250	No Damage or Performance Degradation	< 1.5 μ s	3 ms – 5 ms

EEP Filters design and manufacture a complete range of 2-Line/SP&N and 4-Line/TP&N EMP/HEMP power line filters. The standard range is 16A, 32A, 63A, 100A, 250A and 400A supporting facility compliance with the requirements of the appropriate requirements of MIL-STD-188-125, DEF-STAN 59-188 and NATO AECTP-500. Bespoke modular designs are available to service high power cable entries to large buildings up to 1600A and higher. Designs whose insertion loss performance will be compliant with NATO TEMPEST standard SDIP-29, and the most stringent GCHQ and NSA TEMPEST specifications can also be offered.

The circuit designs of the filters are individual discrete lines for full performance in both common and differential modes. The performance is maintained under all current loading conditions across the full frequency spectrum, and the discrete line construction makes the filters fully electrically versatile in respect of connecting to the power supply. The mechanical design of the filters allows them to be installed either outside or inside of an EMP/HEMP protected area. The surge arrestors fitted to the filters makes them suitable for electrical circuits also protecting against the effects of secondary lightning.

400A 4 Line Power Filter Standard Specification

About Us

Established in 1996, European EMC Products (EEP) are an established British company whose experience and understanding of the science of shielding makes it an ideal partner in whom you can place your trust with confidence. The purpose of installing EEP shielding systems is to protect people and equipment against the threats posed by electromagnetic and radio frequency (RF) interference, radiation, magnetic fields and electromagnetic pulses. Our diverse range of turnkey products and services, including design, project management, testing and consultancy are delivered across multiple sectors to an international client base.

Quality

European EMC Products Limited are registered to BS EN ISO 9001:2015, Certificate Number FS38901.

Registered Scope: The design, assembly, installation, servicing and testing of RF Shielded Structures and equipment including EMI Shielding, Blast Doors, Gas Tight Doors and specialised mobile Electromagnetic Pulse Protection (EMPP) containers.

Radio Frequency, Magnetic Shielding and Quench systems for MRI (Magnetic Resonance Imaging) scanners.

The design, assembly and installation of Ionising Radiation Protection facilities.

The design, manufacture and installation of LED lighting systems for medical applications.

EEP Filters Limited are registered to BS EN ISO 9001:2015, Certificate Number FS38901.

Registered Scope: The design, manufacture, management of installation and testing of high performance EMC and EMP Power and Data Line Filters.

Disclaimer

NB: All of the information provided within this datasheet is for reference only. Product specifications are subject to change without notice.