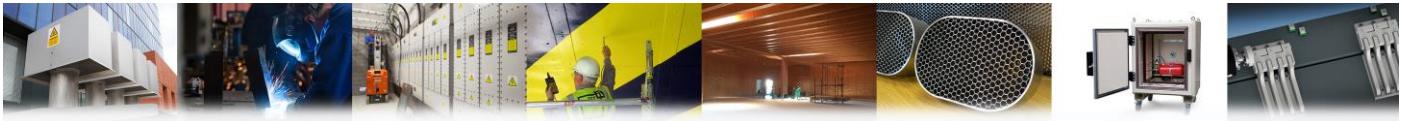


MRI RF Shielded Window



Being able to see a patient during an MRI scan is important both for the staff and for the patient. As well as needing good visibility, the MRI RF Window must offer the same level of shielding as the rest of the Faraday Cage.

The European EMC Products RF Window has 2 layers of blackened mesh to meet the RF performance. These must be positioned at a precise angle to each other to prevent visual distortion called Fresnel Interference.

EEP can supply windows of varying sizes and frame designs, with and without mullions, as well as providing full installation and testing services.

MRI Window Dimensions:

Glass Dimension		Visual Clear Dimension		Host Building Opening		External Window Frame Dimension	
H (mm)	W (mm)	H (mm)	W (mm)	H (mm)	W (mm)	H (mm)	W (mm)
914	1219	864	1169	964	1269	1031	1336
914	1524	864	1476	964	1574	1031	1641
1219	1524	1169	1476	1269	1574	1336	1641
*1219	*1829	*1169	*1781	1269	1879	1336	1946
914	1829	866	1781	964	1879	1031	1946

* Maximum individual unit size (ie without mullion)

Materials:

Aluminium Alloy Frame

Double-layer 30 x 30 OPI Blackened Copper Mesh (0.28mm Wire, 0.567mm Aperture).

Double-layer 6.4mm thick laminated Safety Glass.

Performance:

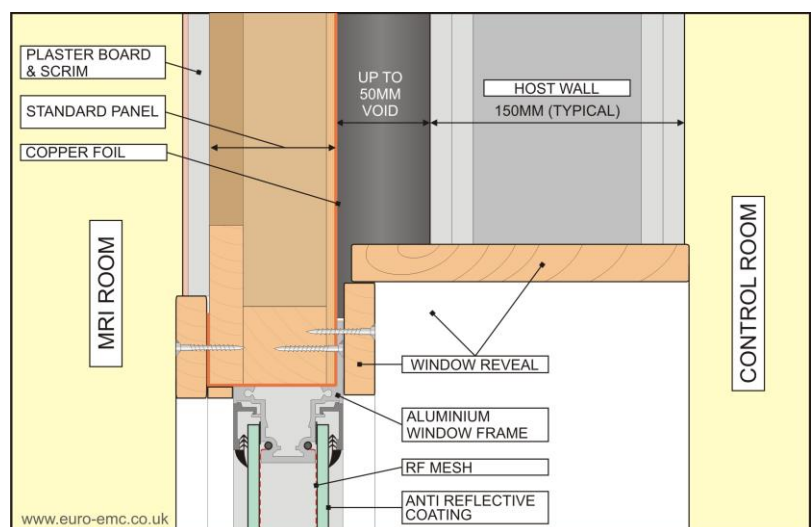
RF Attenuation: 100dB, 5-130 MHz, Electric and Plane-wave mode

Acoustic rating: STC-40 (Rw 37)

Description:

Aluminium frame construction with two layers of 30 x 30 OPI taugt mesh encased in two layers of 6mm thick laminated safety glass.

Blackened mesh provides RF attenuation while two layers of glass seal the assembly and provide acoustic attenuation. With 25mm wide central Mullion.

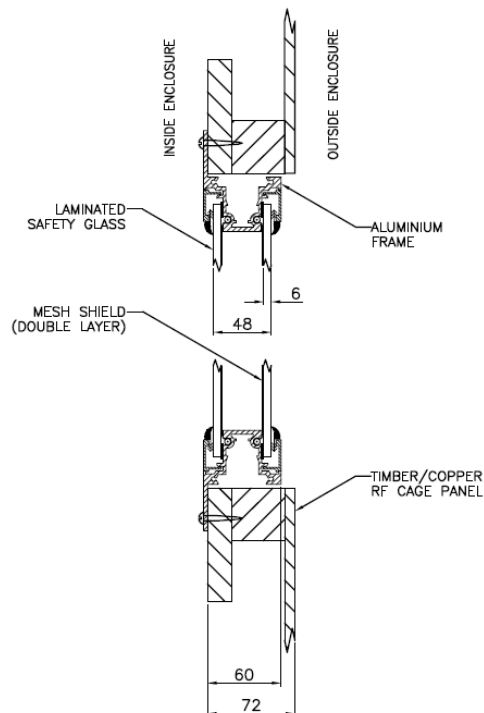


MRI RF Shielded Window

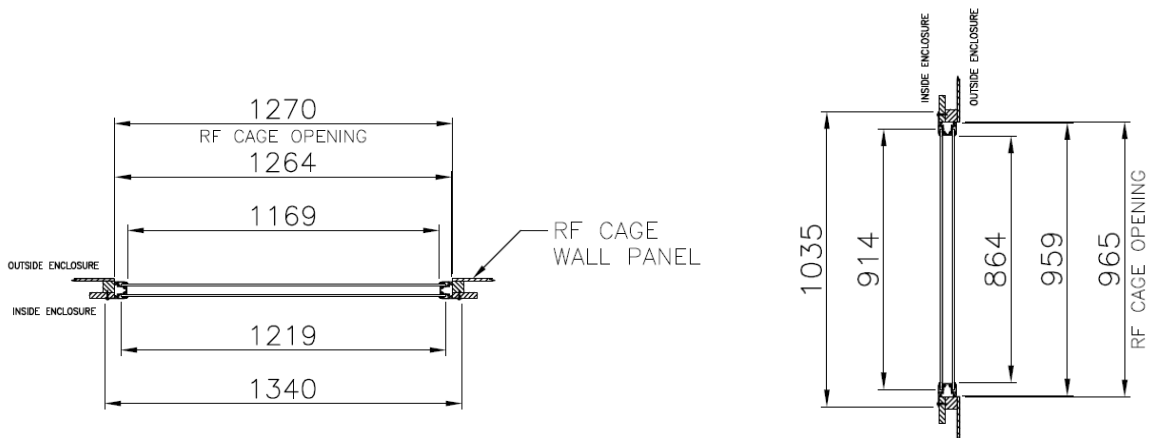
Finish: Unpainted

Weight: 35 kg/m²

Cross Section Detail:



View Based on a Standard 1169 x 864 mm Window



About Us

Established in 1996, European EMC Products (EEP) are an established British company whose experience and understanding of the science of shielding makes it an ideal partner in whom you can place your trust with confidence. The purpose of installing EEP shielding systems is to protect people and equipment against the threats posed by electromagnetic and radio frequency (RF) interference, radiation, magnetic fields and electromagnetic pulses. Our diverse range of turnkey products and services, including design, project management, testing and consultancy are delivered across multiple sectors to an international client base.

Quality

European EMC Products Limited are registered to BS EN ISO 9001:2015, Certificate Number FS38901.
Registered Scope: The design, assembly, installation, servicing and testing of RF Shielded Structures and equipment including EMI Shielding, Blast Doors, Gas Tight Doors and specialised mobile Electromagnetic Pulse Protection (EMPP) containers.

Radio Frequency, Magnetic Shielding and Quench systems for MRI (Magnetic Resonance Imaging) scanners.
The design, assembly and installation of Ionising Radiation Protection facilities.

The design, manufacture and installation of LED lighting systems for medical applications.

EEP Filters Limited are registered to BS EN ISO 9001:2015, Certificate Number FS38901.

Registered Scope: The design, manufacture, management of installation and testing of high performance EMC and EMP Power and Data Line Filters.

Disclaimer

NB: All the information provided within this datasheet is for reference only. Product specifications are subject to change without notice.