

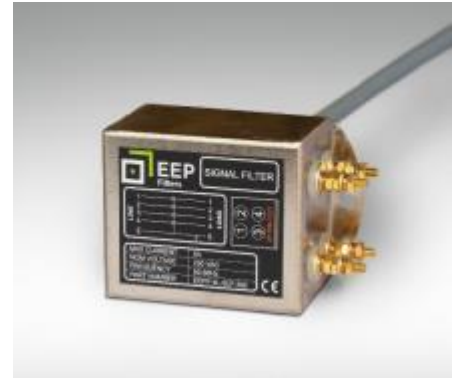
Signal Line Filters

8 Amp AC / 10 Amp DC

The EEPF standard range of Signal Line Filters have been designed for Shielded Room requirements for attenuation of 60dB from 300 MHz –1 GHz. The filter will continue attenuating up to 30 GHz.

Our Signal Filters are supplied in a compact sized format with current ratings up to 10 amp DC / 8 amp AC per phase. The operating voltage is 230V AC per line, and the filter enclosure is constructed of tin. They are available in up to 12 line versions, however further versions are available on request.

The filters are typically installed within Shielded Enclosures, IT Installations, Data Rooms, Military and Medical facilities. They ensure compliance with the EMC Directive and are competitively priced.



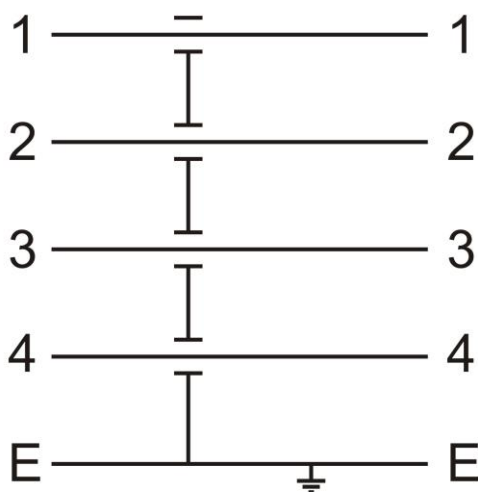
Filter Standards

The EEPF Std Signal filters are built in accordance with the relevant BS, CE and CSA safety standards and conform to MIL-STD 220A.

Technical Specifications

No. Of Lines	Max Current / Per Line		Max AC Volt Drop @ Full Load	Max Voltage Per Line	Typical Earth Voltage mA (Worst Case) AC		Storage Temp Range	Operating Temp.	Temp Rise @ Full Load	Termination Type	Approximate Weight (kg)
	DC	AC			STD	400 HZ					
1-4	10A	8A	500mV	250V AC	1	4	-25 ~ +85°C	-20 - +50°C	<35°C	M3 Thread	400g
4-8	10A	8A	500mV	250V AC	1	4	-25 ~ +85°C	-20 - +50°C	<35°C	M3 Thread	800g
9-12	10A	8A	500mV	250V AC	1	4	-25 ~ +85°C	-20 - +50°C	<35°C	M3 Thread	1200g

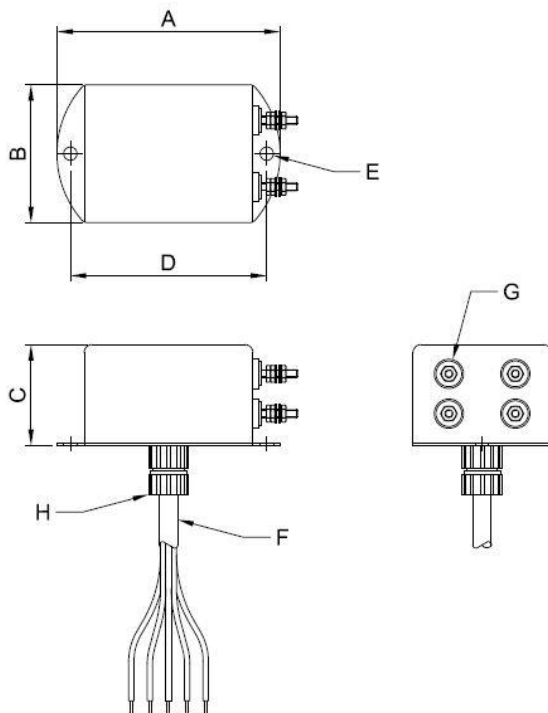
4 Line Schematic



Signal Line Filters

8 Amp AC / 10 Amp DC

Dimensional Data of 4, 8 & 12 Line Unit



Lines	A	B	C	D	E	F	G	H
1-4	84mm	52mm	38mm	74mm	5mm DIA	500mm Length	M3 x 14mm	15.5mm Hole
4-8	84mm	104mm	38mm	74mm	5mm DIA	500mm Length	M3 x 14mm	15.5mm Hole
8-12	84mm	156mm	38mm	74mm	5mm DIA	500mm Length	M3 x 14mm	15.5mm Hole

About Us

Established in 1996, European EMC Products (EEP) are an established British company whose experience and understanding of the science of shielding makes it an ideal partner in whom you can place your trust with confidence. The purpose of installing EEP shielding systems is to protect people and equipment against the threats posed by electromagnetic and radio frequency (RF) interference, radiation, magnetic fields and electromagnetic pulses. Our diverse range of turnkey products and services, including design, project management, testing and consultancy are delivered across multiple sectors to an international client base.

Quality

European EMC Products Limited are registered to BS EN ISO 9001:2015, Certificate Number FS38901.
 Registered Scope: The design, assembly, installation, servicing and testing of RF Shielded Structures and equipment including EMI Shielding, Blast Doors, Gas Tight Doors and specialised mobile Electromagnetic Pulse Protection (EMPP) containers.
 Radio Frequency, Magnetic Shielding and Quench systems for MRI (Magnetic Resonance Imaging) scanners.
 The design, assembly and installation of Ionising Radiation Protection facilities.
 The design, manufacture and installation of LED lighting systems for medical applications.
 EEP Filters Limited are registered to BS EN ISO 9001:2015, Certificate Number FS38901.
 Registered Scope: The design, manufacture, management of installation and testing of high performance EMC and EMP Power and Data Line Filters.

Disclaimer

NB: All the information provided within this datasheet is for reference only. Product specifications are subject to change without notice.